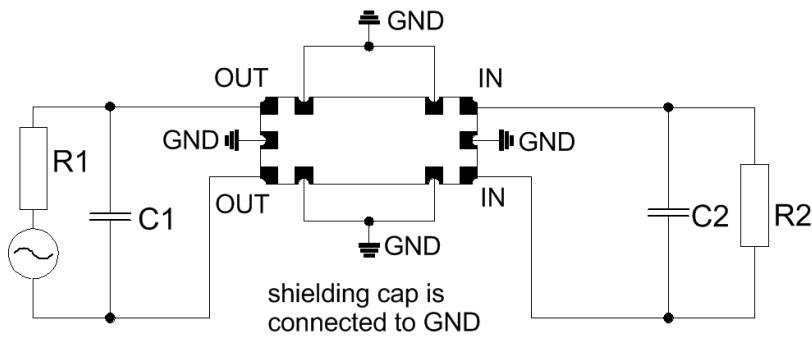
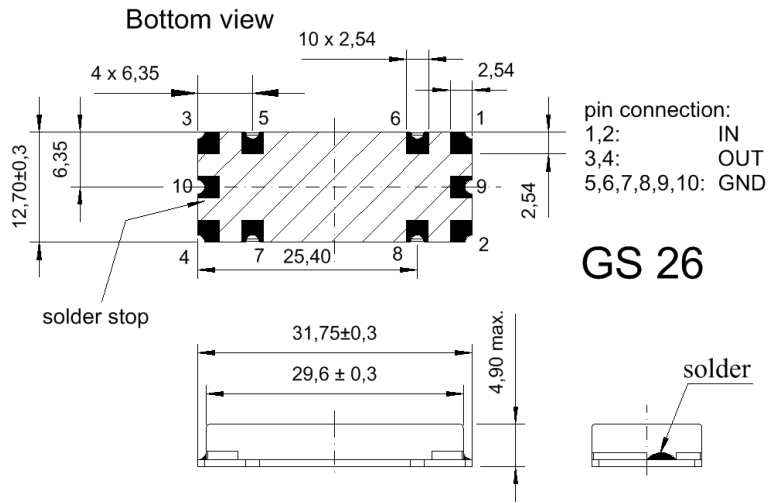


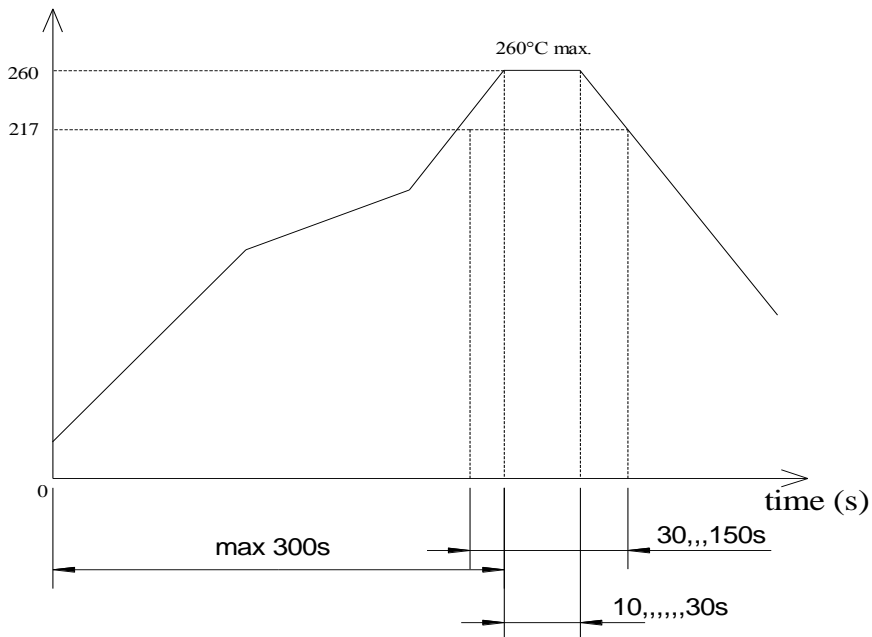
Specification for balanced LC band pass filter: **LC 184.32-100.0/06**

1. General

1.1. Package:



temperature (°C)



Reflow soldering: three times max.

- 1.2. Type name: LC 184.32-100.0/06
- 1.3. Number of poles: 5-pole, differential filter
- 1.4. Operating temperature range (OTR): -40°C to +85°C
- 1.5. Storage temperature range: -45°C to +105°C

2. Electric values

- 2.1. Nominal centre frequency fo: 184.32 MHz

2.2. Pass band

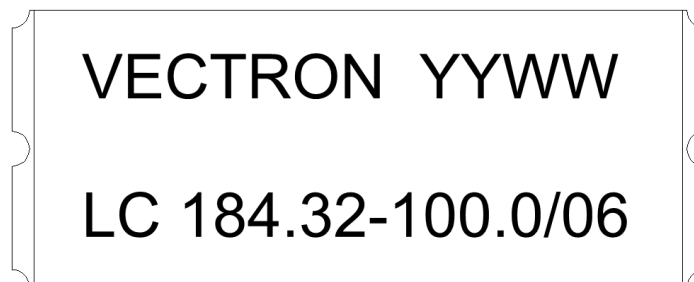
- 2.2.1. Bandwidth at 3 dB: > fo ± 50 MHz
- 2.2.2. Ripple in pass band: < 0.5 dB peak to peak
- 2.2.3. Insertion loss: < 3.0 dB

2.3. Stop band

- 2.3.1. fo -170 MHz: > 40 dB
- 2.3.2. fo +140 MHz: > 40 dB
- 2.3.3. Alternate attenuation:
 - at DC.....14.32 MHz > 40 dB
 - at 324.32 MHz....1.0 GHz > 40 dB

- 2.4. Terminating impedance (input and output): 200 Ω // 0 pF
- 2.5. Maximum input power level: +20 dBm

3. Marking:



- 4. Environment conditions: Corresponding to Vectron standard CF001

Edited by: _____ date: _____ name: _____